



ATEX / IECEx Battery Charger



Picture is for reference purposes only

EXCEN Zone 1 + 21 Battery chargers are specifically designed for application in **Hazardous Areas** ensuring maximum battery lifespan and energy efficiency and can still operate at full power under the **most extreme ambient conditions**.

Available for 12/24/48V batteries (80V available upon request), suitable for **Wet, GEL, or AGM technologies**, can be easily installed thanks to wall mounting supports and **power supply of 110/240 VAC, 50/60Hz**.

- **Smart Charging & Monitoring:** Equipped with active PFC (Power Factor 0.99) and a microprocessor that manages complete charging profiles, including equalization and maintenance curves. The system features a work-hours timer, error storage, real-time parameter display, and auxiliary contacts for remote and local signaling of the charging and mains status.
- **Robust Construction:** Engineered for off-shore or heavy industrial indoor installations. The Ex d enclosure is available in copper-free aluminum, stainless steel, or mild steel with high-resistance anti-corrosion coating.
- **Easy Integration:** Designed for straightforward wall mounting
- **Easy signaling:** The front interface is engineered for in-field monitoring, including a Main Switch, a Voltage Presence Indicator, and a real-time charge status display
- **Ingress Protection Rating:** Featuring a certified **IP66 protection grade**, the enclosure guarantees total defense against dust ingress and resistance to high-pressure water jets, making the unit fully reliable for installation in harsh industrial environments.

Tailor-made solutions for higher capacities, alternative power inputs, or different hazardous zones (e.g., ATEX Zone 2 & 22) are available upon request.

■ Typical Applications

- Large-scale, Multi-floor & Automated Warehouses (Intralogistics)
- Remote Charging Stations & Isolated Outposts
- Offshore, Platforms & vessels
- Chemical & Pharmaceutical Process Plants
- Mining & Underground Operations (upon request)

■ Marking

Type Examination EU: INERIS 00ATEX0052X

IECEx Certificate of conformity: IECEx INE 14.0008X

CE 0080

I M2 Ex db I Mb

II 2G Ex db IIB+H2 T6...T3 Gb



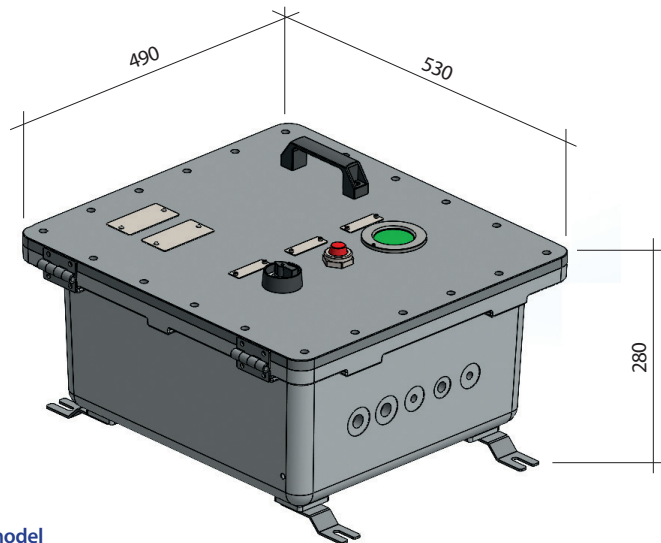
II 2D Ex tb IIIC T85°C...T200°C Db IP66

Tamb: -20°C ≤ Tamb ≤ +55°C

■ ATEX & IECEx Battery Charger – Technical Characteristics

- **Input voltage:** 100÷240Vac ±10% 50-60Hz
 - **Input Current:** 13A Max @110V, 6A Max @230V
 - **P.F.:** 0,99; Efficiency 230V@48V - 92%; Active PFC
 - **Output Specifications:** 12V/24/48V – 10/15/20/30A
 - **Suitable for:** battery Lead Acid (Wet / AGM / GEL)
 - **IP protection:** IP66
 - **Operating Temperature:** -20 +55°C
 - **Dimensions:** 490mm in Width; 530mm in Height; 280mm in Depth
- **Equalization curve, maintenance curve, timer work hours, storage of errors, real time parameter display, remote and local signaling charging state, auxiliary contact mains presence**

■ Dimensions

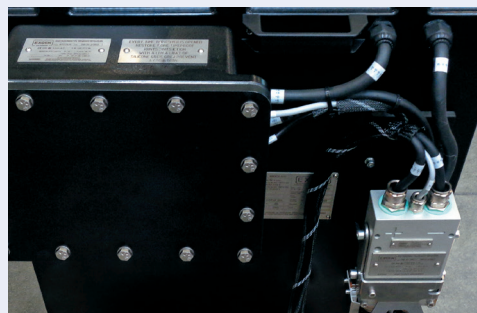


Picture of a copperfree aluminium model

■ Options



ATEX & IECEx Battery connectors available in anodized aluminum, brass or stainless steel.



Battery Disconnection system in hazardous area.